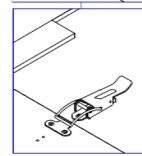
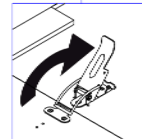
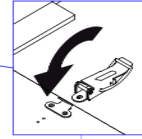
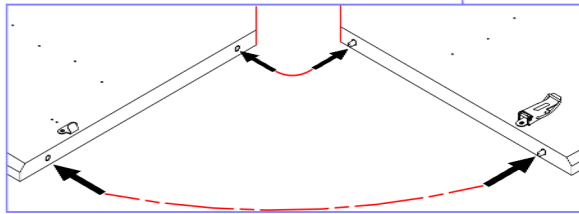
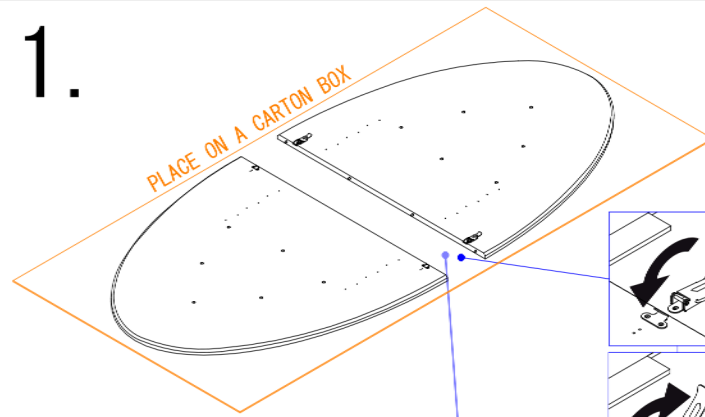
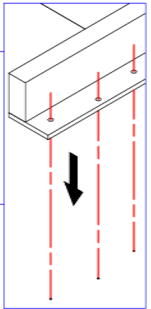
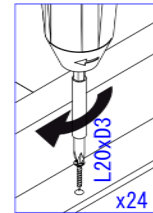
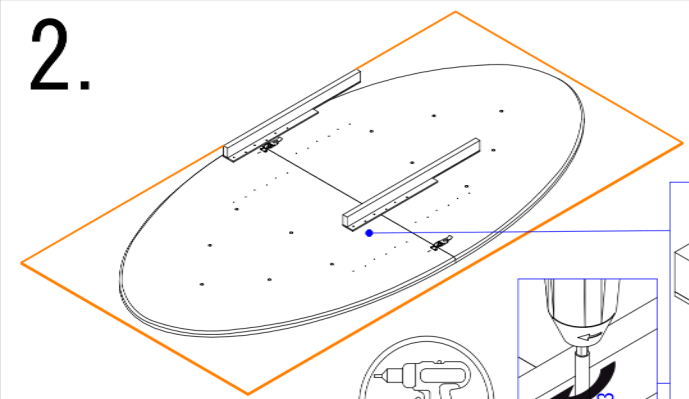


Order of screwing

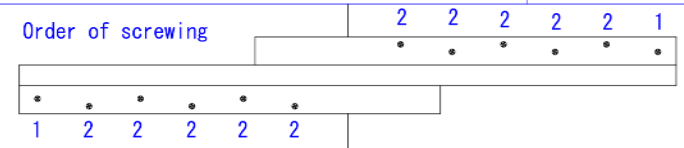
1.



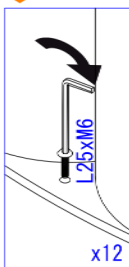
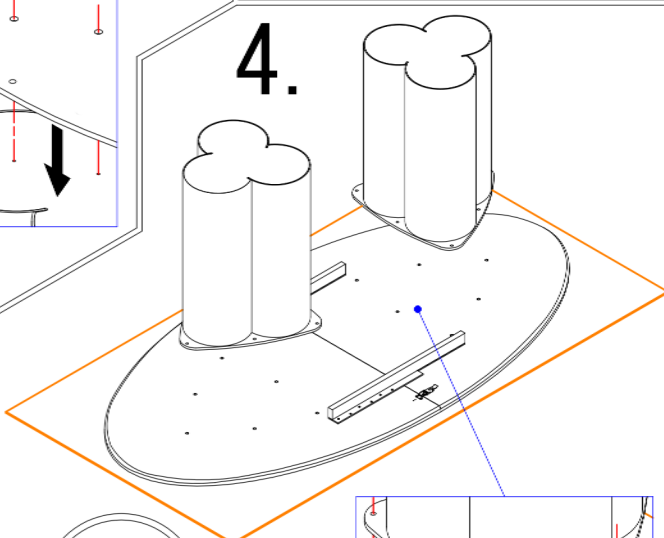
2.



Order of screwing

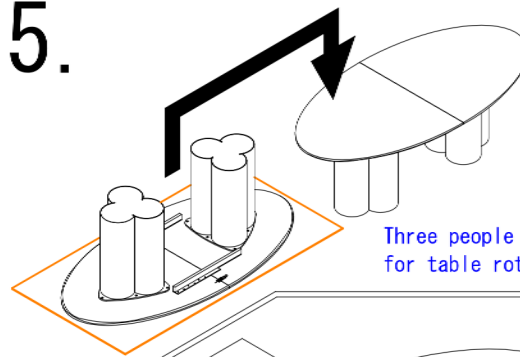


4.



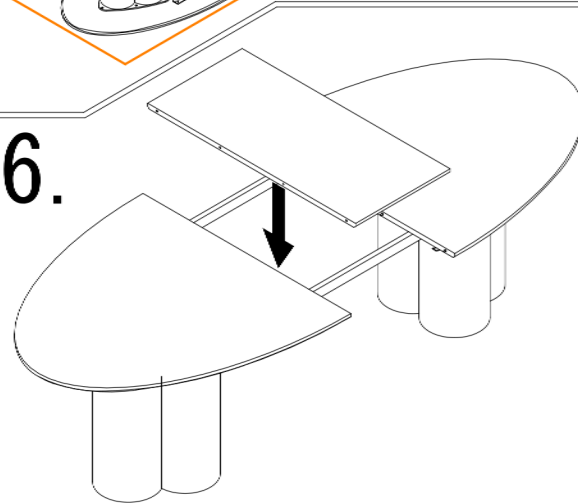
x12

5.



Three people needed for table rotation

6.



Allen key L5 -1pcs

L20xM3 -24pcs

L35xM4 -10pcs

L20xM6 -12pcs