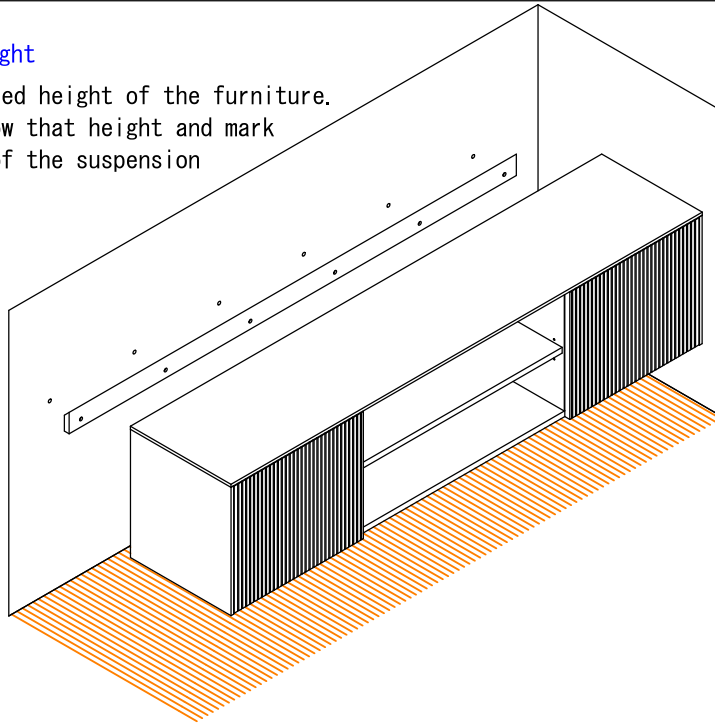


How to Install the Suspension Rail and Hang the Furniture

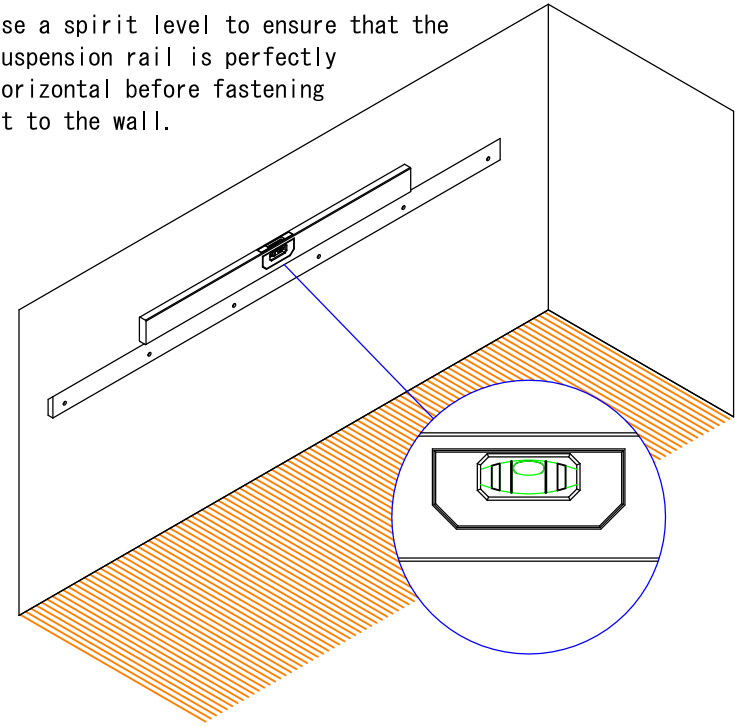
1. Mark the correct height

First, decide the desired height of the furniture. Then measure 14 cm below that height and mark where the bottom edge of the suspension rail should be placed.



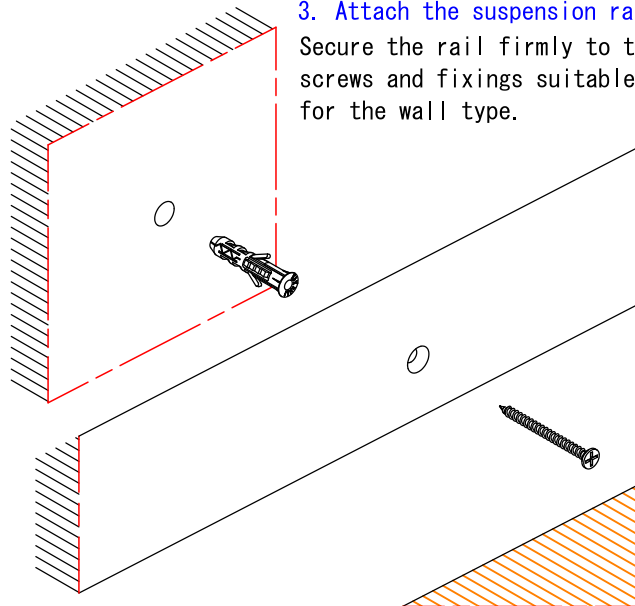
2. Make sure the rail is level

Use a spirit level to ensure that the suspension rail is perfectly horizontal before fastening it to the wall.



3. Attach the suspension rail

Secure the rail firmly to the wall using screws and fixings suitable for the wall type.



4. Hang the furniture

Carefully lift the furniture and hook it onto the suspension rail. This step should be carried out by two people to ensure safe and easy installation.

